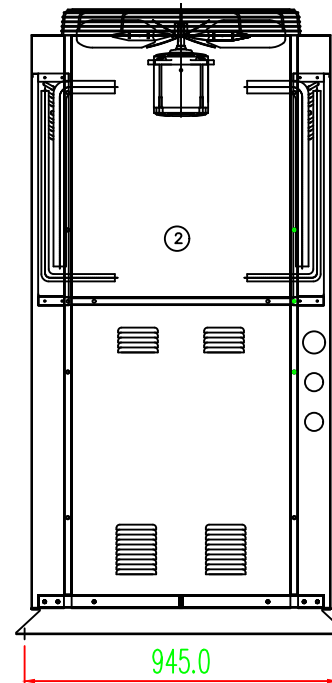
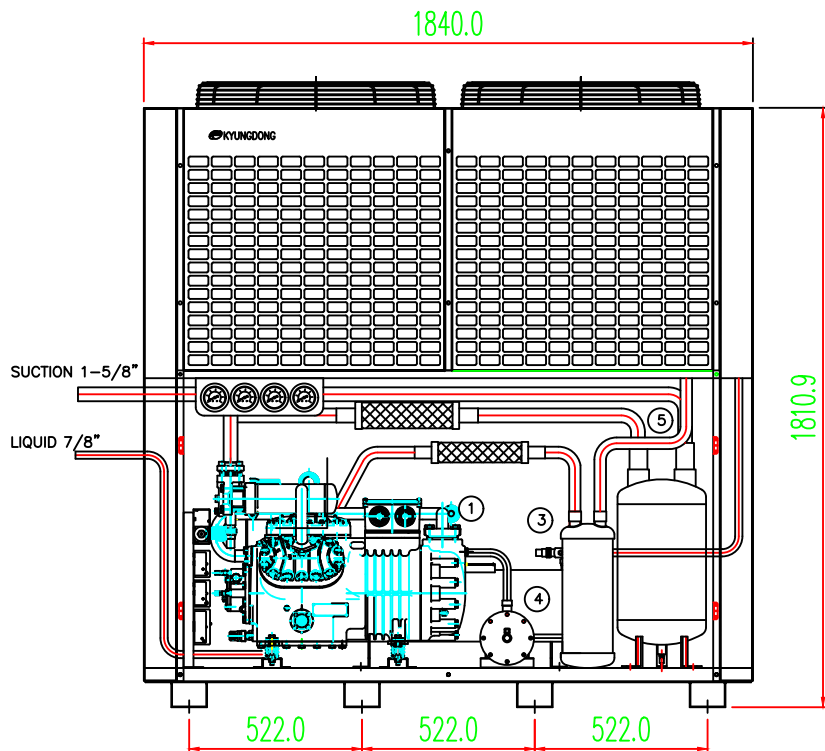


ITEM		SPECIFICATION
COMPRESSOR	TYPE	SEMI-HERMETIC COMPRESSOR
	MODEL(HP)	SP4HF1500
	REFRIGERANT	R-22 (R-507)
	OIL CHARGING	3GS
CONDENSER	TYPE	SLIT/INNER GROVE TUBE
	COIL SIZE	3/8" 3R 20S 1400ELX2EA
	FIN PITCH	2.1
FAN&MOTOR	FAN	ø600*2
	MOTOR	0.4kW*6P*2
	AIR VOLUME	282CMM
POWER SOURCE		380V*3PH*50Hz
UNIT POWER		14KW/h



NO	DESCRIPTION	SPECIFICATION	Q'ty	REMARK
5	ACCUMULATOR	20HP	1	20HP
4	RECEIVER	20HP	1	20HP
3	OIL SEPARATOR	AW-5690	1	
2	CONDENSER	PAS200(20HP)	1	20HP
1	COMPRESSOR	SP4HF1500	1	REF15HP

TITLE ASS'Y				
Name of Drawing DWU-CU20A				
Scale	Req. Q'ty	FILE NAME		
Designed by	Drawn by	Checked by	Approved by	
NAME C.H,CHUN	C.H,CHUN			
DATE 20151206	20190214			
Dwg. No		REV.	⚠	

주식회사 대우인더스트리 DAEWOO INDUSTRY CO.,LTD.					TITLE 진공냉각기 실 외 기				
SCALE	none	DESIGN	DRAWN	CHECK	APPR	PROJECT TITLE 20HP			
UNIT	mm		KIM			DWG NO DVR-920M-20			
PROJECTION						REV : 0			

△					
△		20210601			
SYM	REASONABLE	DATE	SIGN	CHECK	APPR